

## REMOTE CORROSION MONITORING

# SmartCPtech Sensor

## Real-time visibility. Proactive CP control.

An advanced corrosion sensor designed to reduce the need for frequent manual inspections, travel, and specialized testing equipment.

**10 YEARS**

BATTERY LIFE

**10 MIN**

INSTALLATION

**4 ANODES**

CURRENT OUTPUT CONTROL

**IP66**

RAIN, SNOW AND UV RESISTANT



## Why SmartCPtech?

- Immediate visibility into the condition of critical assets
- A tool for stray current investigation and corrosion potential analysis
- Monitoring of the remaining life of your cathodic protection system
- Two-way communication for proactive intervention before issues escalate

## Key Benefits

- Reduced labor costs and elimination of repeated manual inspections
- Extended asset lifespan through continuous, precise monitoring
- Increased reliability of cathodic protection (CP) systems

### SELECT INDUSTRY APPLICATIONS

Energy & Utilities | Oil & Gas | Water & Wastewater | Transportation | Marine & Ports | Telecommunications

LEARN MORE

## Request a Quote

Visit [smartCPtech.com](https://smartCPtech.com) to learn more about the sensor.

SCAN TO VISIT  
[SMARTCPTECH.COM](https://SMARTCPTECH.COM)



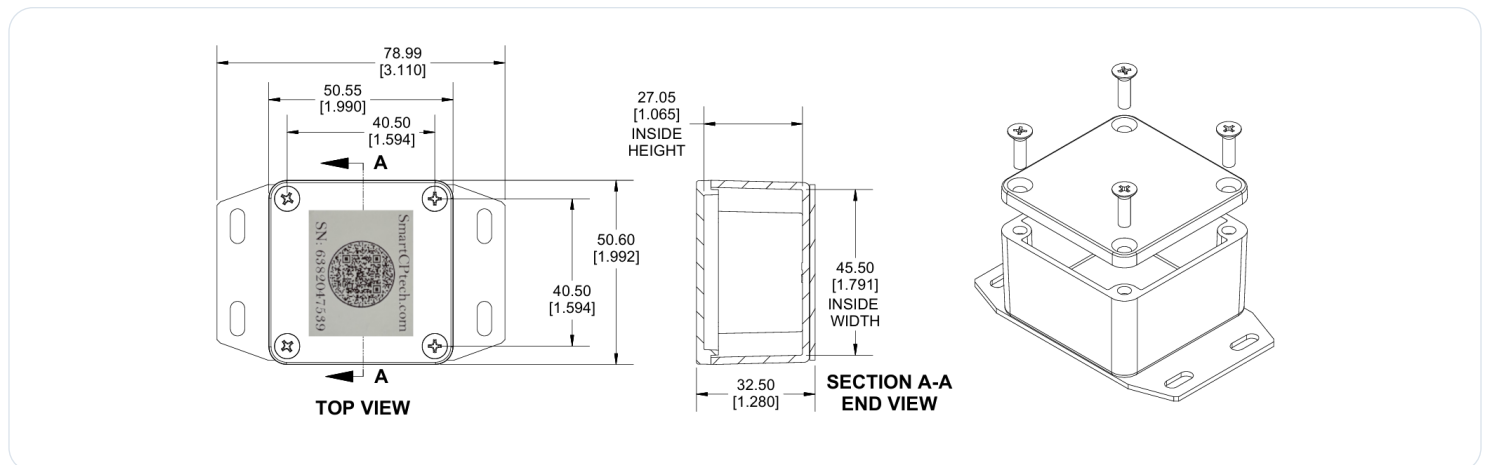
# Technical Specifications

Compact design for demanding environments and critical assets.

<b>MEASUREMENT</b>	3-digit corrosion potential measurement with high accuracy and impedance
<b>ANODE CONTROL</b>	Simultaneous control of 4 anodes current output
<b>MEASUREMENT MODE</b>	Instant-off measurement capability
<b>INTEGRATED SENSORS</b>	Integrated moisture and temperature sensors
<b>BATTERY LIFE</b>	10-year battery life
<b>INSTALLATION</b>	10-minute installation
<b>DESIGN</b>	Very compact and lightweight design
<b>OPERATING TEMPERATURE</b>	-40°C to +65°C (-40°F to +150°F)
<b>ENVIRONMENTAL RATING</b>	IP66 rated rain, snow, and UV resistant
<b>BATTERY REPLACEMENT</b>	Easy battery replacement (standard CR123)
<b>DIMENSIONS</b>	78.99 x 50.60 x 32.50 mm (3.110 x 1.992 x 1.791 inches)
<b>WEIGHT</b>	150 g (5.29 oz)

## Dimensions

Technical enclosure drawing



Explore the product and request a quote at [www.smartCPtech.com](http://www.smartCPtech.com)

